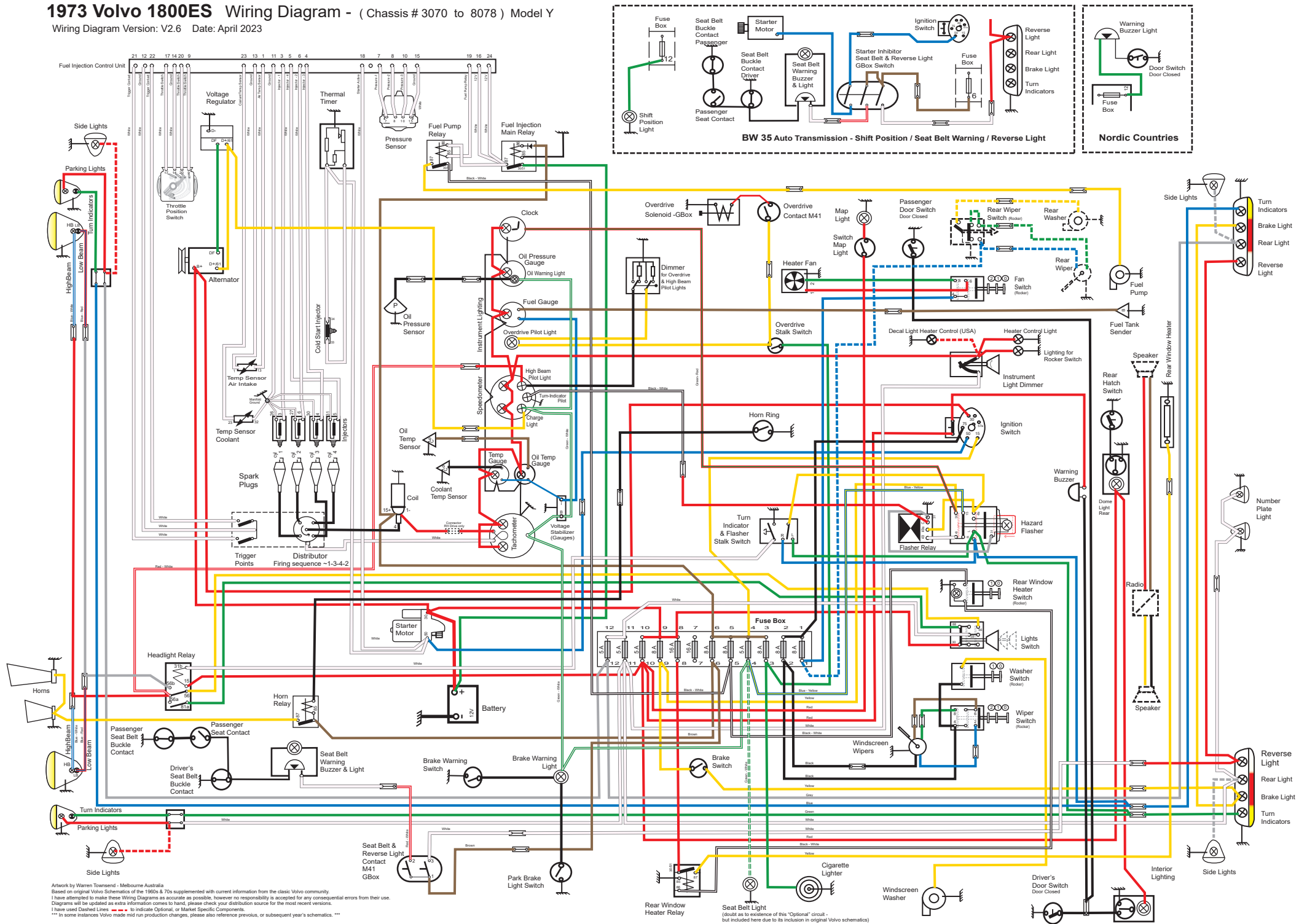


1973 Volvo 1800ES Wiring Diagram - (Chassis # 3070 to 8078) Model Y

Wiring Diagram Version: V2.6 Date: April 2023



Artwork by Warren Townsend - Melbourne Australia
Based on original Volvo Schematics of the 1960s & 70s supplemented with current information from the classic Volvo community.
I have attempted to make these Wiring Diagrams as accurate as possible, however no responsibility is accepted for any consequential errors from their use.
Diagrams will be updated as extra information comes to hand, please check your distribution source for the most recent versions.
I have used Dashed Lines --- to indicate Optional, or Market Specific Components.
*** In some instances Volvo made mid run production changes, please also reference previous, or subsequent year's schematics. ***